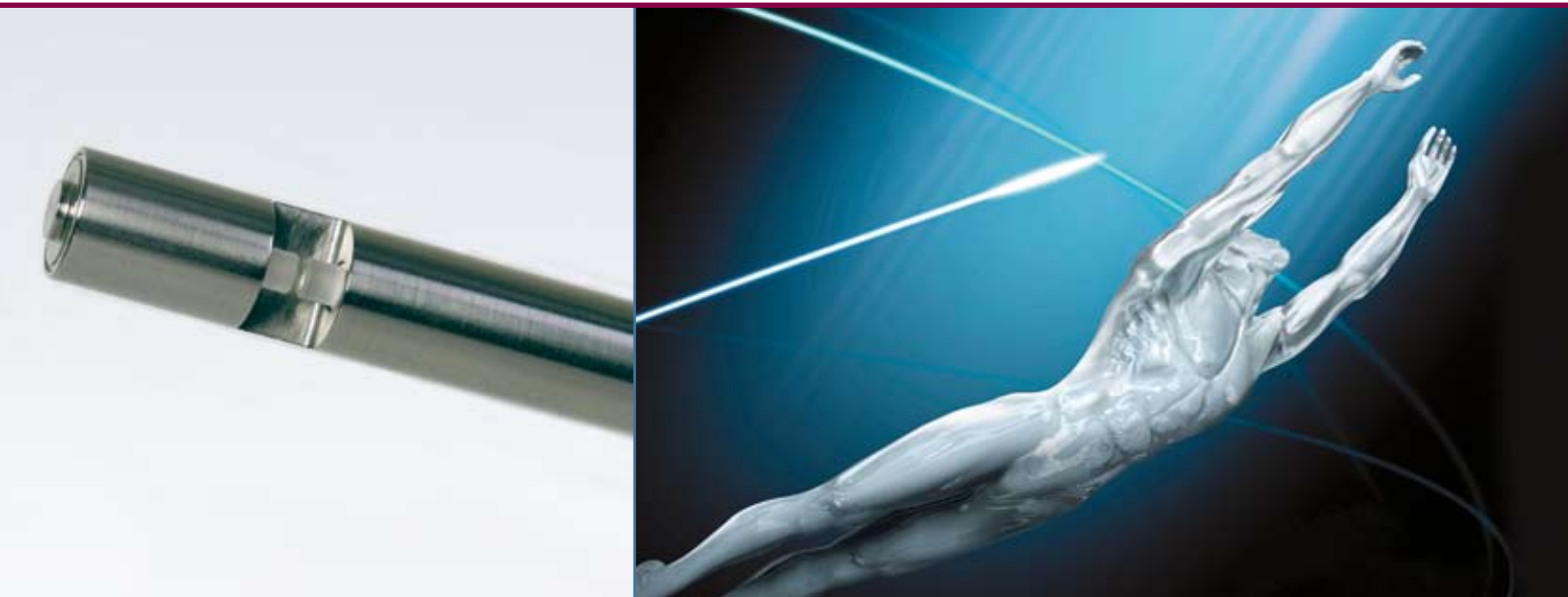


# ZAFIRO BIOFIT

Fiberoptic Transmission Immersion Probes  
with the Superior Optic Material – Sapphire



ZAFIRO BIOFIT Immersion Probes are remarkable for their robust design and unmatched selection of materials for all wetted parts. Their CIP/SIP-compliant design meets the most challenging demands for reliable application in sterile production. Only flawlessly polished metal surfaces come into contact with the product at the probe interface.

ZAFIRO BIOFIT Immersion Probes are the first choice for inline analytical applications in food and biopharmaceutical production. ZAFIRO BIOFIT Probes are designed for direct immersion into reactors and pipes. The Sapphire optic core is standard with optical path length of 1,2,5 or 10 mm. ZAFIRO BIOFIT probes can also be customized to meet your individual needs.

## ZAFIRO BIOFIT – the Clear Advantages at a Glance

- Abrasion- and corrosion-free sapphire optics
- Chemical resistance
- Verifiable process capability
- Range of applications from UV to NIR
- Compatible with all types of spectrometers
- Wide variety of models and customized designs
- Complete range of accessories and spectrometers



# ZAFIRO BIOFIT Meets the Highest Demands in Process Analysis Technology

## Applications

Determination of single parameters or multicomponent analysis in solutions

## Standard Procedures

- Control for membrane separation or process chromatography for the production of biopharmaceuticals
- Determination of identity and content for protein fractions
- Cleaning validation programs for API production
- Colometric characterization of liquids in food and beverage production



## Specifications

### Optic

Optical path length (OPL) 1, 2, 5 to 10 mm

### Process Conditions

Temperature Maximum 140 °C (continuous use)

Pressure Up to 40 bar

### Declaration of Conformity

Certified in accordance with Equipment Directive 97/23/EG

### Probe Design

Dimensions Diameters 18 mm  
Immersion depth from 100 mm

Standard materials Stainless steel DIN 1.4435/316L,  
sapphire

Surface finish Ra < 0.8 µm

Process connectors DIN- or ANSI flanges  
Screw fittings (Swagelok)  
Tri-Clamp (ISO 2852-1974, 7.1)  
Sanitary thread SC (DIN 11851)

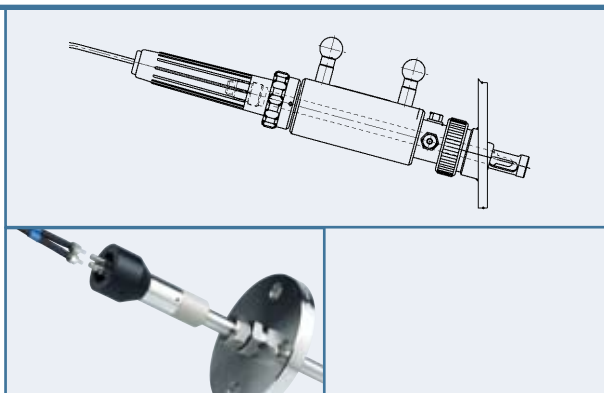
### Options

Additional designs, dimensions, and specifications upon request

## Total Service – from Probes to a Complete Range of Accessories

We offer much more than just fiberoptic flow cells. Our comprehensive accessory program includes everything you need for implementing our cells as well as reliable coupling solutions for almost any type of spectrometer.

Ask us about the optimal solution for you.



**Solvias AG**  
P.O. Box  
4002 Basel  
Switzerland

Tel. +41 61 686 62 17  
Fax +41 61 686 60 96  
pat@solvias.com  
www.pat.solvias.com